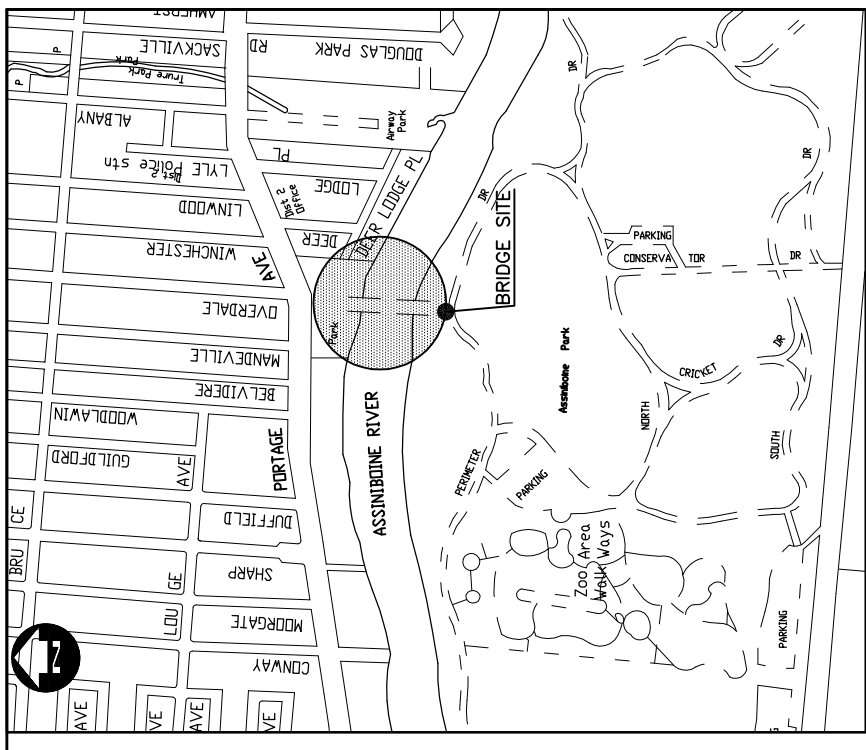
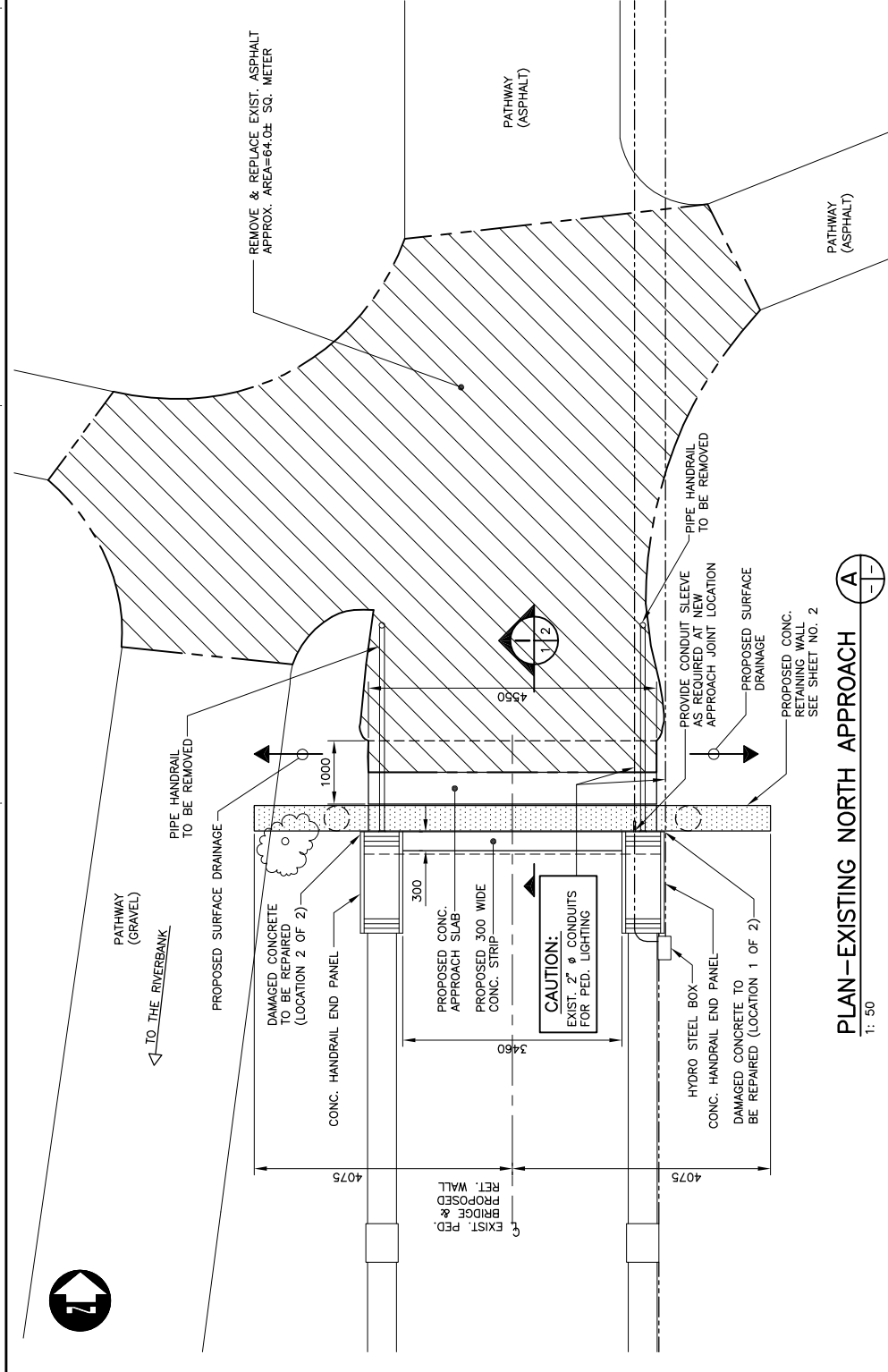


GENERAL NOTES:

1. DO NOT SCALE DRAWINGS.
2. VERIFY ALL DIMENSIONS PRIOR TO COMMENCING CONSTRUCTION.
3. MAINTAIN SAFE PEDESTRIAN/CYCLE/WHEELCHAIR USE OF BRIDGE CROSSING FOR DURATION OF PROJECT. MINIMUM WIDTH OF TEMPORARY CROSSING: 1500 mm.
4. SOD ALL BACKFILL AND OTHER LANDSCAPED AREAS DISTURBED BY THIS CONSTRUCTION.

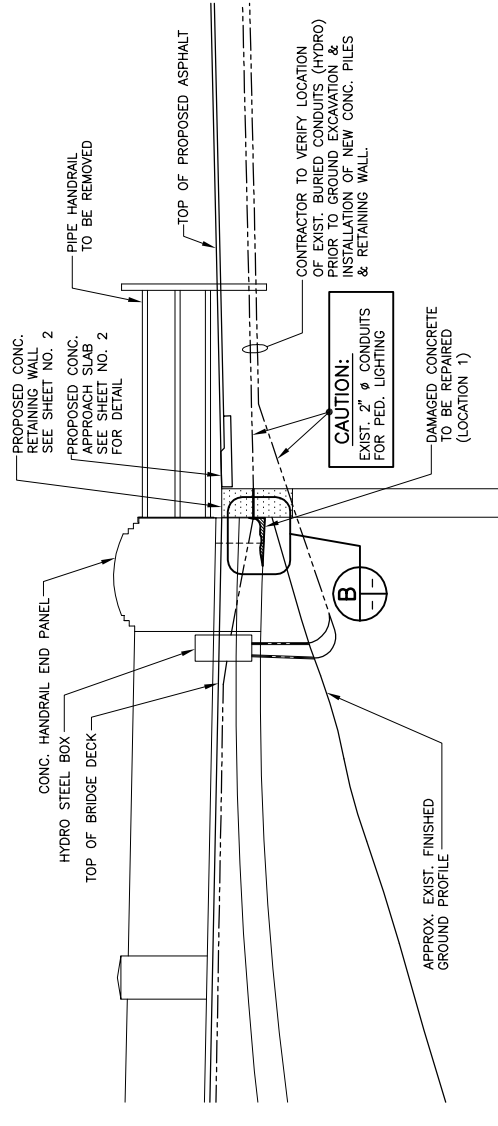


LOCATION PLAN



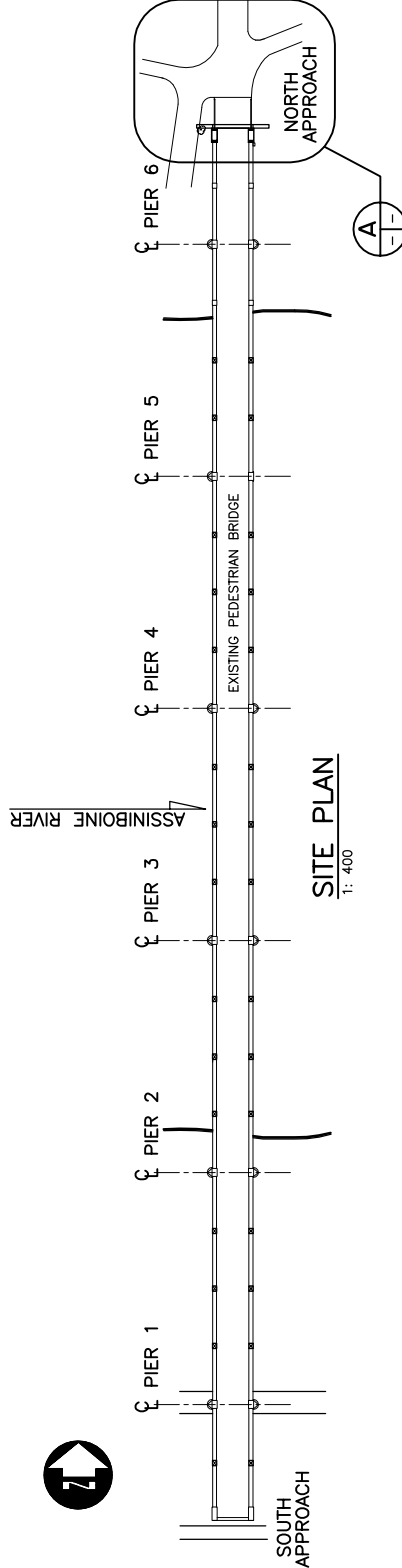
PLAN - EXISTING NORTH APPROACH

1: 50



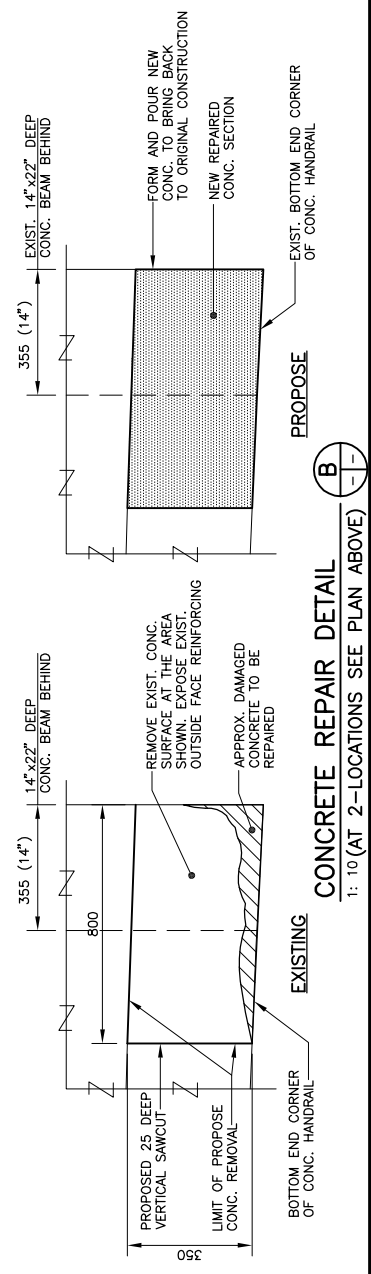
ELEVATION - EXISTING NORTHEAST SIDE APPROACH

1: 50 (LOOKING WEST)



SITE PLAN

1: 400



CONCRETE REPAIR DETAIL

1: 10 (AT 2-LOCATIONS SEE PLAN ABOVE)

| | | | | | |
|--|--|--|--|--|--------------|
| | | 2004 BRIDGE MAINTENANCE ASSINIBOINE PARK PEDESTRIAN BRIDGE OVER THE ASSINIBOINE RIVER | | CITY DRAWING NUMBER B129-04-01 | SHEET 1 OF 2 |
| | | CONSULTANT PROJECT NO. 04-2937-1000 | | NORTH APPROACH REMEDIAL WORKS PLANS & EXISTING CONCRETE REPAIR DETAILS | |
| | | DESIGNED BY: R.A.W. DRAWN BY: N.B.G. CHECKED BY: R.A.W. APPROVED BY: R.A.W. SCALE: HORIZ. AS SHOWN VERT. AS SHOWN DATE: MARCH 2004 | | DATE: _____ AUTHORIZED BY: _____ CITY BRIDGE ENGINEER | |
| B.M. ELEV. _____ NO. 1 REVISIONS _____ NO. 2 REVISIONS _____ | | ISSUED FOR TENDER: 03/12/04 R.A.W. ISSUED FOR REVIEW: 03/09/04 R.A.W. | | DATE: _____ BY: _____ | |